

EL DIRECTION - STOP LAMP NASO ANKASTRE

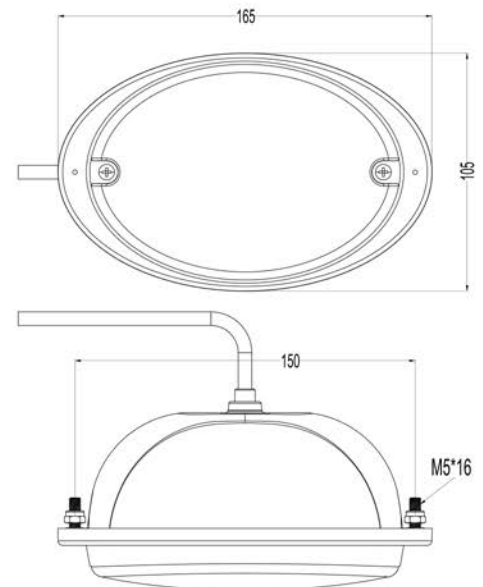
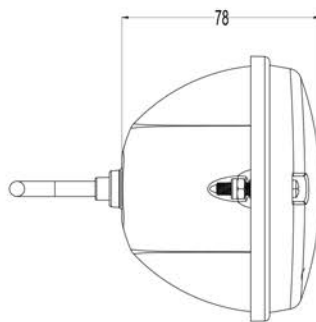


Features

- 1 Functions: Turn Indicator for the front lamp
- 2 Functions: Position Brake for the rear lamp
- Specially designed for US Market
- Cables can be customized according to customer requests.
- % 100 tested before delivery



PARTS	PARTS NAME	PARTS NO
	EL POSITION & DIRECTION LAMP NASO ANKASTRE	0001.3207.XXX
	EL POSITION & DIRECTION LAMP NASO ANKASTRE SS	0001.3207.XXX
	EL STOP LAMP NASO ANKASTRE	0001.3407.XXX
	EL STOP LAMP NASO ANKASTRE SS	0001.3407.XXX



BULB		LENS	
12 V 21 W	0001.2027.000	SIGNAL UNBREAKABLE	0001.0126.000
12 V 21/5 W	0001.2029.000	STOP UNBREAKABLE	0001.0128.000