

IT COMBINE HEAD LAMP

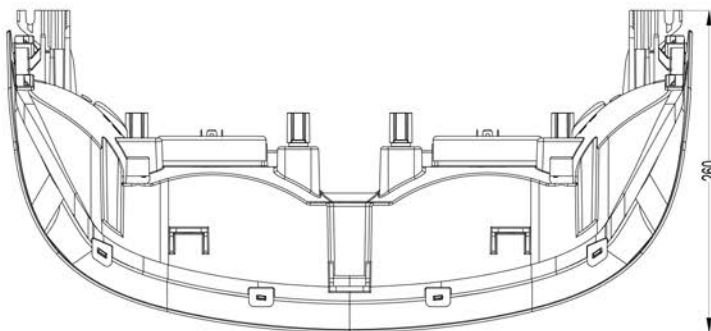
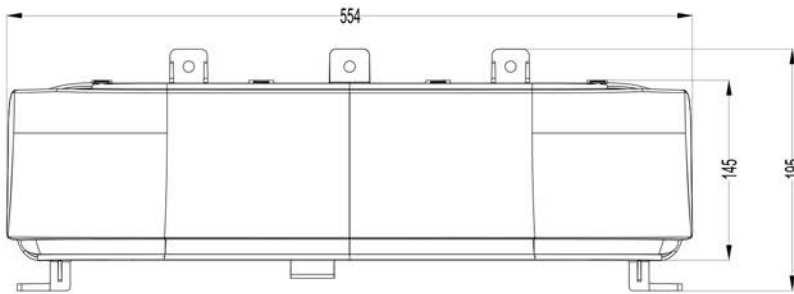


Features

- Homologated according to ECE R112: Class B
- All of the SERKO components are tested 100% before delivery
- Patented 2K Bulb sealing, bulb fixing, bulb holder design
- All of the SERKO components are patented
- 100% Thermoplastic design, nature friendly
- Special raw materials and coating with UV resistance and scratch resistance
- Resistance for low and high temperatures conditions
- Clear lens design
- High illumination value
- Precise and powerful optical design
- Energy consumption excluding working lamps



PARTS	PARTS NAME	PARTS NO
	IT COMBINE HEAD LAMP	0001.3803.001



LOW BEAM	HIGH BEAM	BULB	
100 w	150 w	60/55 W 12V H4	0001.2047.000
		60/55 W 12V	0001.2085.000