

EL POSITION & DIRECTION - STOP LAMP EU ANKASTRE

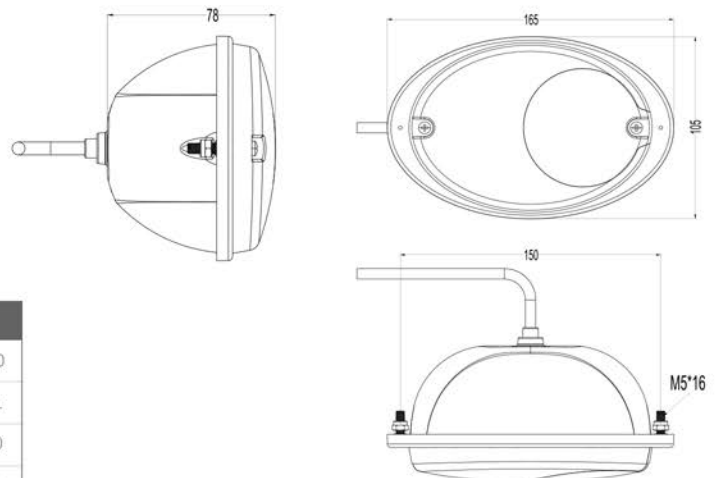


Features

- 2 Functions: Position, Turn Indicator for the front lamp
- 3 Functions: Position, Turn Indicator, Brake for the rear lamp
- Homologated, ECE R6 R7
- 2K Injection Technology
- Clear lens design on the direction side
- % 100 tested before delivery



PARTS	PARTS NAME	PARTS NO
	EL POSITION & DIRECTION LAMP EU ANKASTRE UNBREAKABLE	0001.3206.XXX
	EL POSITION & DIRECTION LAMP EU ANKASTRE REGULAR	0001.3206.XXX
	EL POSITION & DIRECTION LAMP ANKASTRE SS	0001.3206.XXX
	EL STOP LAMP EU ANKASTRE UNBREAKABLE	0001.3406.XXX
	EL STOP LAMP EU ANKASTRE REGULAR	0001.3406.XXX
	EL STOP LAMP EU ANKASTRE SS	0001.3406.XXX



BULB		LENS	
12 V 21 W	0001.2027.000	SIGNAL UNBREAKABLE	0001.0125.000
12 V 21/5 W	0001.2029.000	SIGNAL REGULAR	0001.0125.001
12 V 5 W	0001.2028.000	STOP UNBREAKABLE	0001.0127.000
		STOP REGULAR	0001.0127.001